



Please write clearly in block capitals.

Centre number

--	--	--	--	--

Candidate number

--	--	--	--

Surname

Forename(s)

Candidate signature

I declare this is my own work.

A-level PHYSICS

Paper 3 Section B Engineering physics

Thursday 15 June 2023

Morning

Time allowed: The total time for both sections of this paper is 2 hours. You are advised to spend approximately 50 minutes on this section.

Materials

For this paper you must have:

- a pencil and a ruler
- a scientific calculator
- a Data and Formulae Booklet
- a protractor.

Instructions

- Use black ink or black ball-point pen.
- Fill in the boxes at the top of this page.
- Answer **all** questions.
- You must answer the questions in the spaces provided. Do not write outside the box around each page or on blank pages.
- If you need extra space for your answer(s), use the lined pages at the end of this book. Write the question number against your answer(s).
- Do all rough work in this book. Cross through any work you do not want to be marked.
- Show all your working.

Information

- The marks for questions are shown in brackets.
- The maximum mark for this paper is 35.
- You are expected to use a scientific calculator where appropriate.
- A Data and Formulae Booklet is provided as a loose insert.

For Examiner's Use

Question	Mark
1	
2	
3	
4	
5	
TOTAL	



J U N 2 3 7 4 0 8 3 B C 0 1

1B/M/Jun23/E7

7408/3BC

Section BAnswer **all** questions in this section.

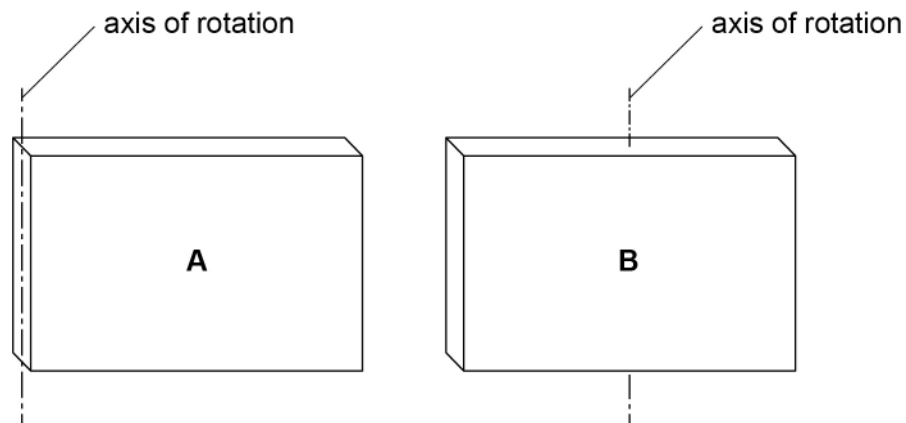
0	1	1
---	---	---

 One equation used in translational dynamics is:

$$\text{force} = \text{mass} \times \text{acceleration}$$

State **in words** the equivalent equation used in rotational dynamics.**[2 marks]**

Figure 1 shows two identical uniform plates **A** and **B**. The axis of rotation of each plate is shown.

Figure 1

0	1	2
---	---	---

 State and explain which plate has the greater moment of inertia about its axis of rotation.
[2 marks]



An electric motor drives a machine that punches out plates from a long strip of sheet metal. The motor runs continuously and is fitted with a flywheel.

Figure 2 shows how the angular velocity ω of the flywheel varies with time t .

Figure 2

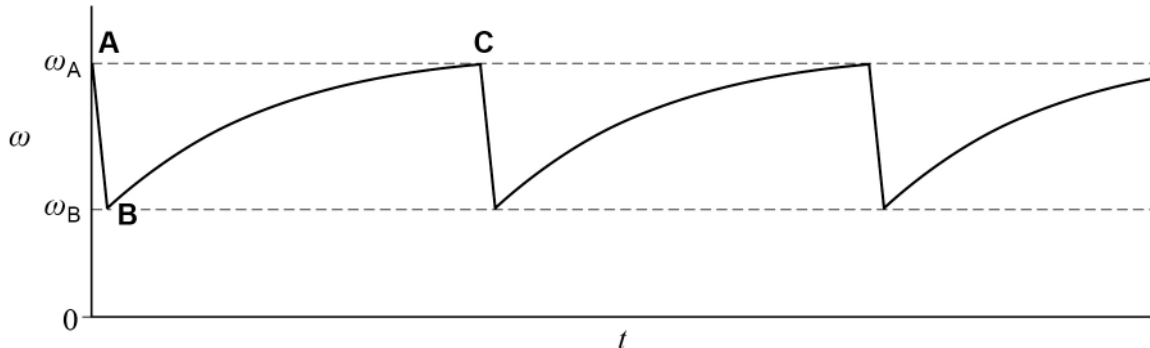


Table 1 describes the sequence for the machine after it has been brought up to speed ω_A .

Table 1

A	The punching operation starts.
A to B	The flywheel transfers some of its energy during the punching operation.
B to C	The flywheel is again brought up to speed ω_A by the motor.
C	The next punching operation starts.

0 1 . 3

A new flywheel with a greater moment of inertia is fitted in place of the original flywheel. The motor torque is constant and the same as before.

Sketch on **Figure 2** a graph showing how the angular velocity varies with time for the machine fitted with the new flywheel.

Assume that:

- the punching operation starts at the same angular speed ω_A
- the same quantity of energy is transferred when punching the metal sheet.

[2 marks]

Question 1 continues on the next page

Turn over ►



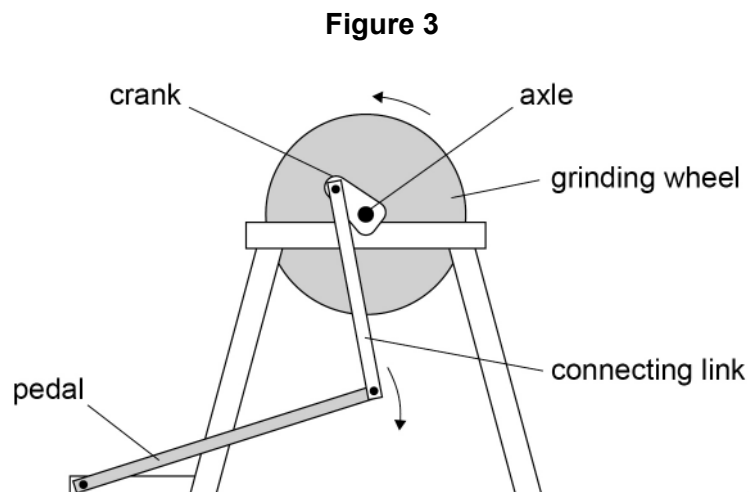
0 1 . 4

Explain **one** difference between your graph and the original graph.**[1 mark]**

7

0 2

Figure 3 shows a heavy stone grinding wheel used for sharpening tools.



The pedal is connected to the axle of the wheel by a connecting link and crank. The operator pushes the pedal downwards to accelerate the wheel from rest. The wheel begins to rotate in the direction shown.

0 2 . 1

Explain why the torque applied to the axle varies as the operator pushes downwards on the pedal.

[2 marks]

Question 2 continues on the next page

Turn over ►



0 2 . 2

The wheel is rotating at a high angular speed. The operator is told not to use the pedal to stop the rotation of the wheel suddenly.

Explain, with reference to angular impulse, why a sudden stop is likely to damage the mechanism.

[2 marks]

0 2 . 3

The connecting link breaks. At this instant the angular speed of the wheel is 13.8 rad s^{-1} .

It takes 15.0 s for the wheel to come to rest.

The frictional torque acting at the axle bearings is 0.77 N m and is constant for all speeds.

Calculate the moment of inertia of the wheel.

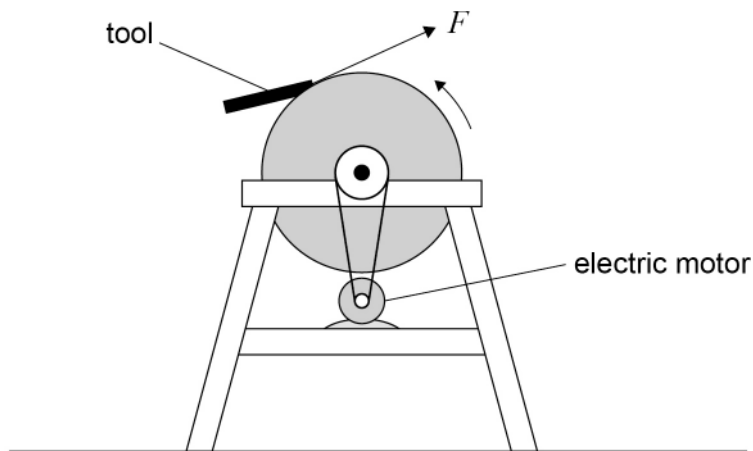
[2 marks]

moment of inertia = _____ kg m^2



The arrangement is modified as shown in **Figure 4**. The pedal, connecting link and crank are removed and the grinding wheel is driven by an electric motor.

Figure 4



0 2 . 4

Figure 4 also shows a tool being sharpened by pressing it on the edge of the rotating wheel.

The tool applies a tangential force F on the wheel.

A torque of 3.10 N m is needed at the axle to drive the wheel at constant angular speed while the tool is being sharpened.

frictional torque at the axle bearings = 0.77 N m
radius of wheel = 0.24 m

Calculate F .

[2 marks]

$F =$ _____ N

Question 2 continues on the next page

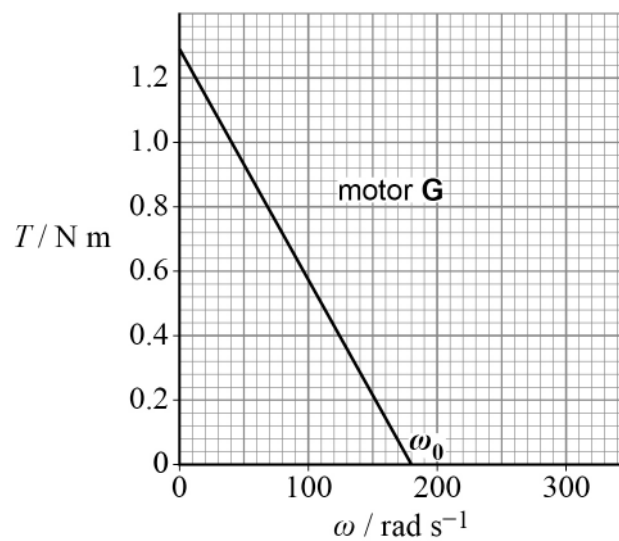
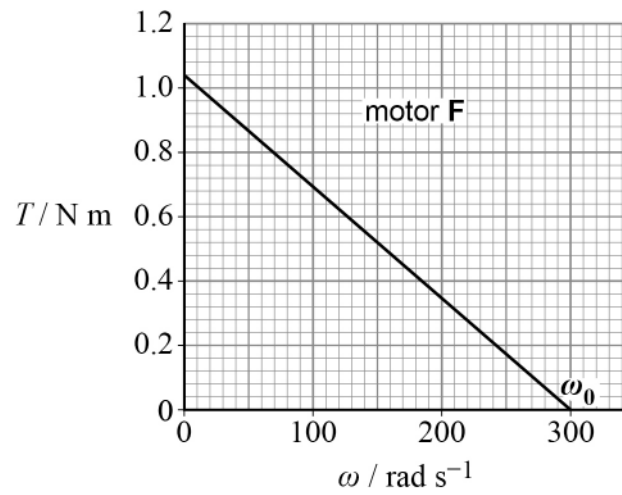
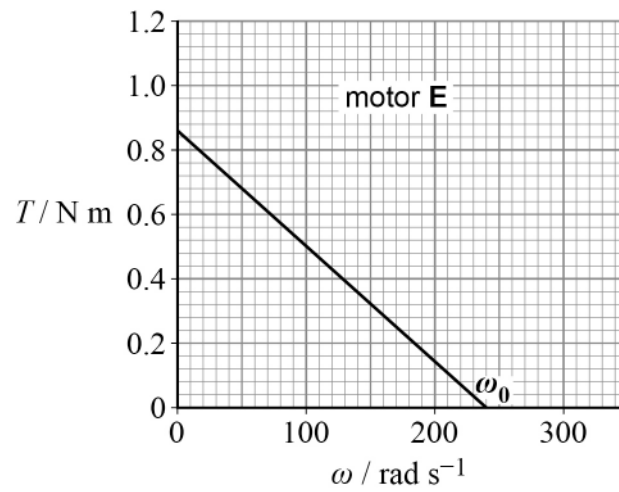
Turn over ►



0 2 . 5

Three motors **E**, **F** and **G** were available to drive the wheel in **Figure 4**. **Figure 5** shows how the torque T varies with angular speed ω for each motor.

Figure 5



The no-load speed ω_0 is the angular speed of a motor when the torque applied is zero.

The maximum power of each motor is developed at about $0.5\omega_0$.

The required output power of the motor when a tool is being sharpened is 52 W.

The required output power of the chosen motor should be about $\frac{2}{3}$ of its maximum power.

Deduce which motor **E**, **F** or **G** was chosen for this application.

[3 marks]

11

Turn over for the next question

Turn over ►



0 3 . 1 The first law of thermodynamics can be written as:

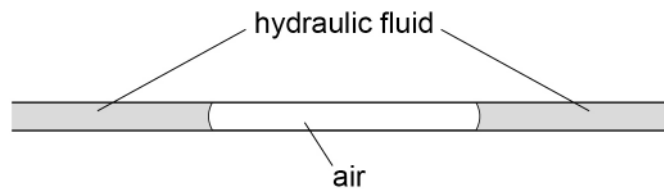
$$Q = \Delta U + W$$

State what Q represents in this equation.

[1 mark]

Air in the brake pipe of a bicycle hydraulic brake system can be dangerous. **Figure 6** shows a bubble of air in a brake pipe.

Figure 6



Assume that the hydraulic fluid is incompressible. During a sudden application of the brake, the air is compressed adiabatically to a high pressure.

0 3 . 2 The work done on the air when it is compressed is 10.8 mJ.

Which row is correct for this adiabatic compression?

Tick (✓) **one** box.

[1 mark]

W / mJ	Q / mJ	$\Delta U / \text{mJ}$	
-10.8	0	10.8	<input type="checkbox"/>
10.8	10.8	0	<input type="checkbox"/>
-10.8	-10.8	0	<input type="checkbox"/>
10.8	0	-10.8	<input type="checkbox"/>



0 3 . 3 The initial conditions for the air are:

$$\text{volume of air} = 2.91 \times 10^{-8} \text{ m}^3$$

$$\text{pressure of air} = 1.05 \times 10^5 \text{ Pa}$$

$$\text{temperature of air} = 293 \text{ K.}$$

During sudden braking, the air in the bubble is compressed adiabatically to a volume of $3.19 \times 10^{-9} \text{ m}^3$.

Calculate the pressure and the temperature of the air immediately after the compression.

$$\gamma \text{ for air} = 1.4$$

[3 marks]

pressure = _____ Pa

temperature = _____ K

Question 3 continues on the next page

Turn over ►



0 3 . 4

To produce the adiabatic change, the brake lever is pulled very quickly. The cyclist thinks that by applying the brake slowly, the work done to compress the bubble to a volume of $3.19 \times 10^{-9} \text{ m}^3$ will be greater than 10.8 mJ.

Deduce without calculation whether the cyclist is correct.

[2 marks]

7



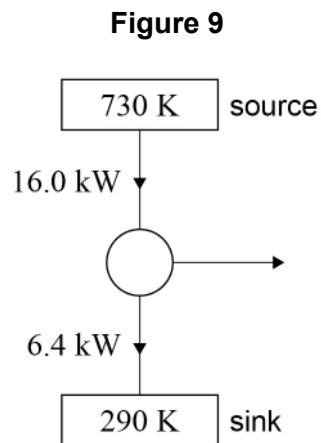
Turn over for the next question

*Do not write
outside the
box*

**DO NOT WRITE ON THIS PAGE
ANSWER IN THE SPACES PROVIDED**

Turn over ►



0 5**Figure 9** shows an ideal heat engine.

The engine operates between a source at a temperature of 730 K and a sink at a temperature of 290 K.

The input power is 16.0 kW and the power rejected to the sink is 6.4 kW.

0 5 . 1

Calculate the efficiency of this engine.

[1 mark]

efficiency = _____



There are no questions printed on this page

*Do not write
outside the
box*

**DO NOT WRITE ON THIS PAGE
ANSWER IN THE SPACES PROVIDED**



