

Geometry Problems Parallel Lines

Please write clearly in block capitals

Forename:

Surname:

Materials

For this paper you must have:

- mathematical instruments



You **can** use a calculator.

Instructions

- Use black ink or black ball-point pen. Draw diagrams in pencil.
- Fill in the boxes at the top of this page.
- Answer all questions.
- You must answer the questions in the spaces provided. Do not write outside the box around each page or on blank pages.
- Do all rough work in this book. Cross through any work you do not want to be marked.

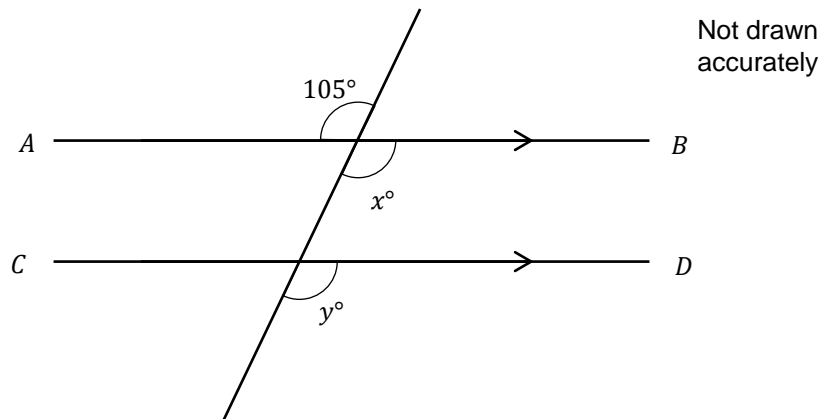
Information

- The marks for questions are shown in brackets.
- You may ask for graph paper, tracing paper and more answer paper. These must be tagged securely to this answer book.

Advice

- In all calculations, show clearly how you work out your answer.

- 1 In the diagram below, AB is parallel to line CD .



- 1(a) Find the value of x
Give a reason for your answer.

[2 marks]

Answer _____

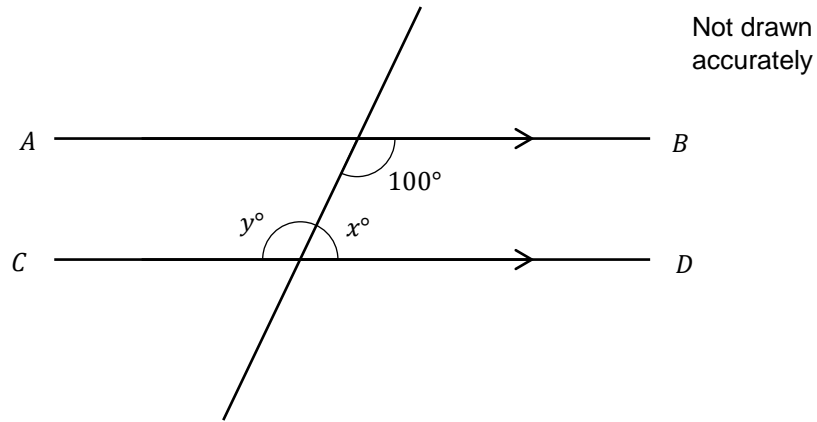
- 1(b) Find the value of y
Give a reason for your answer.

[2 marks]

Answer _____

Turn over for next question

- 2 In the diagram below, AB is parallel to line CD .



- 2(a) Find the value of x
Give a reason for your answer.

[2 marks]

Answer _____

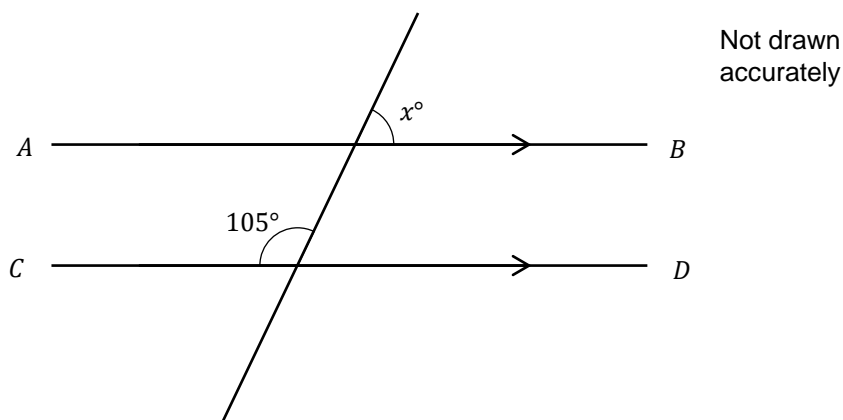
- 2(b) Find the value of y
Give a reason for your answer.

[2 marks]

Answer _____

Turn over for next question

- 3 In the diagram below, AB is parallel to line CD .



Find the value of x

Give a reason for your answer.

[3 marks]

Answer _____



GCSE Maths Revision Cards

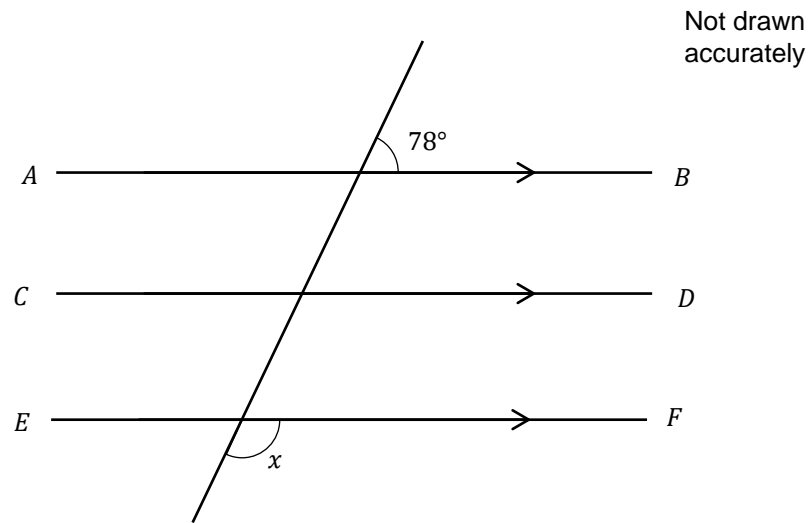
- ✓ All major GCSE maths topics covered
- ✓ Higher and foundation
- ✓ All exam boards - AQA, OCR, Edexcel, WJEC

Get them at mme.la/cards or scan the barcode



Turn over ►

- 4 In the diagram below, AB is parallel to line CD and EF .



Find the value of x

Give a reason for each step of your answer.

[3 marks]

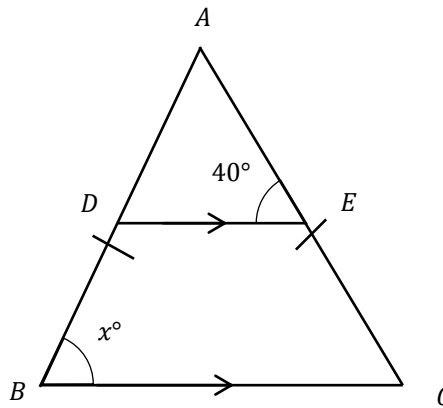
Answer _____

Turn over for next question

5 ABC is an isosceles triangle shown below

Lines DE and BC are parallel

$AB = AC$



Not drawn accurately

Find the value of x

Give a reason for each step of your answer.

[3 marks]

Answer _____



GCSE Maths Practice Exam Papers

- ✓ GCSE Maths predicted papers and mark schemes
- ✓ Paper 1, 2, 3 and mark scheme in every set
- ✓ All exam boards - AQA, OCR, Edexcel, WJEC

Get them at mme.la/papers or scan the barcode →



Turn over ►

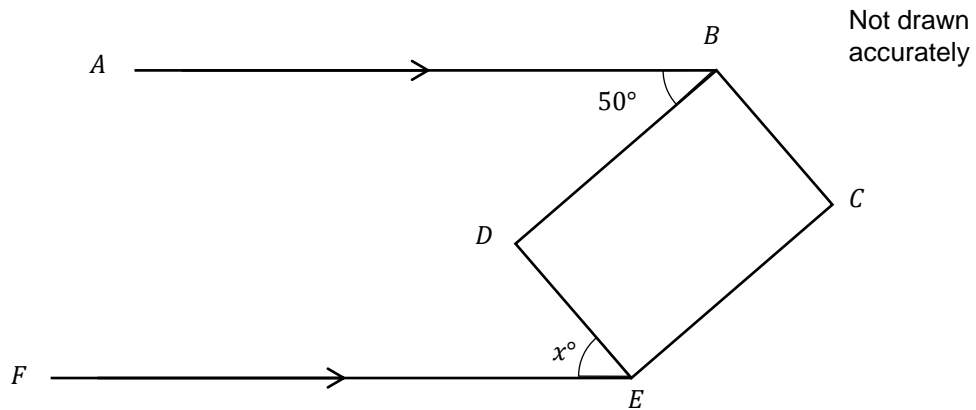
6 The diagram below shows two parallel lines and a rectangle

$$AB = FE$$

$BCED$ is a rectangle

$$\angle ABD = 50^\circ$$

$$\angle DEF = x^\circ$$



Find the value of x

Give a reason for each step of your answer.

[2 marks]

Answer _____

End of Questions